

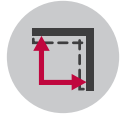
Outstanding Visibility with Extreme Brightness

Window Facing Display | XS4F Series

LG's XS4F series of window-facing digital signage captivates customers with their bright and vivid image quality. The XS 4F series helps businesses enhance their brand image while making customers' shopping experience more enjoyable.



High Brightness



Slim Bezel



webOS
Smart Platform



Energy Saving



High Brightness

With a great brightness of 4,000 nits, the XS4F series clearly delivers contents and attracts public attention, which is the ultimate display for outdoor visibility.



* Except 75XS2C (2,500 cd/m²)

Visible with Polarized Sunglasses

Quarter-wave Plate technology enables clear visibility even when the viewer is wearing polarized sunglasses.



*Quarter Wave Plate

Slim Bezel

The XS4F series attracts attention with elegant design, featuring a slim bezel. These displays enhance the visual impact of important content and the retail store's overall atmosphere.



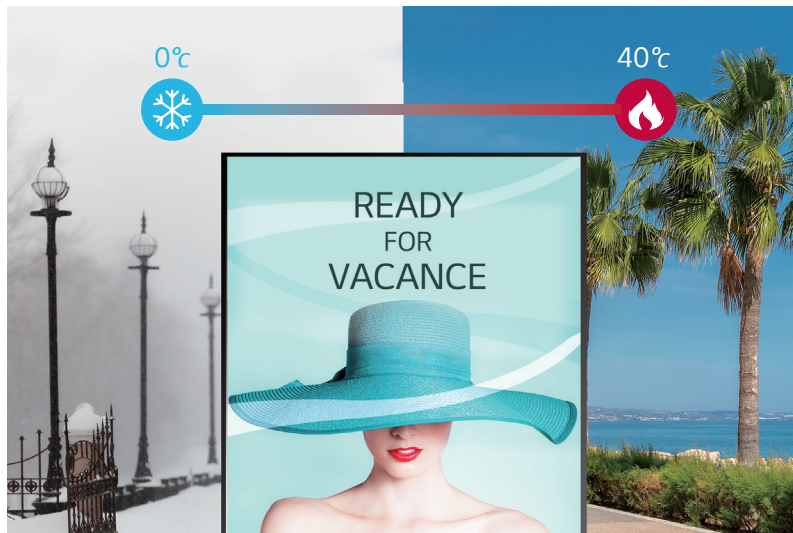
Smart Brightness Control

The screen brightness is automatically adjusted depending on the ambient light. The brightness is increased in light for better visibility, while it is decreased in darkness for efficient power management.



Wide Operating Temperature Range

This panel offers superb reliability in a wide range of operating temperatures.



Conformal Coating

Conformal Coating improves the long-term reliability of the main board and power board, protecting them from dust, iron powder, humidity, etc.



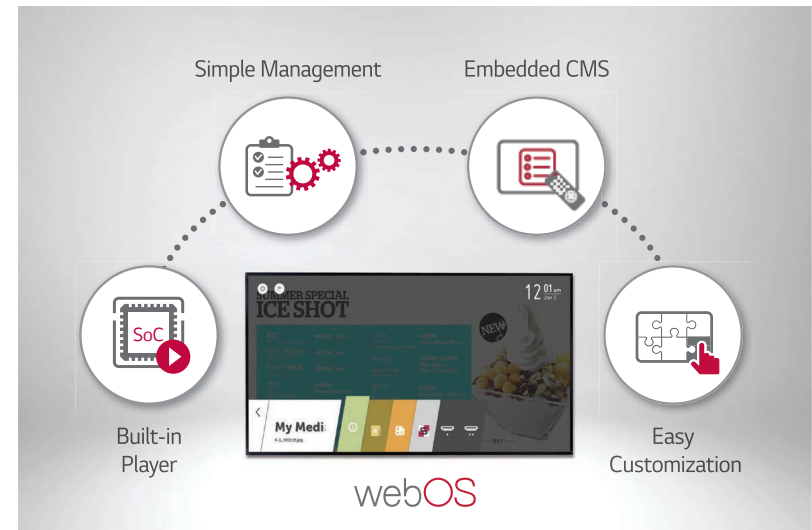
Space Efficiency

Thanks to its thin depth, the XS series takes up minimal space, which leads to space efficiency in an in-window environment.



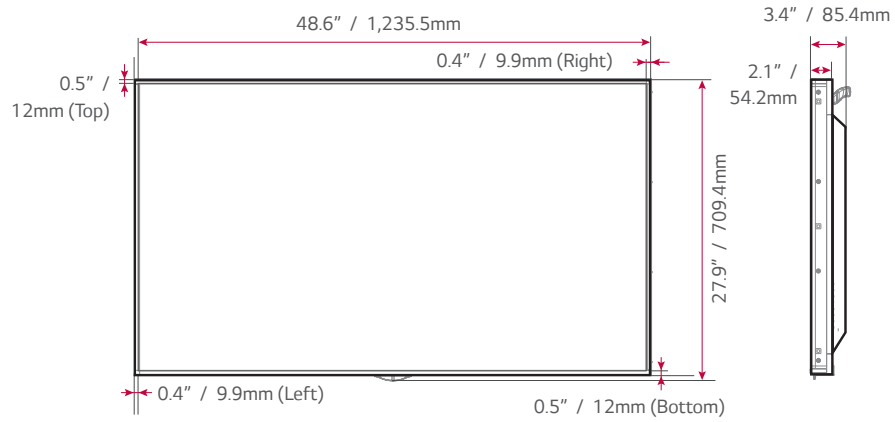
webOS Smart Platform

Quad Core SoC* can execute several tasks at the same time without a separate media player. In addition, webOS 3.0 platform enhances user convenience with intuitive UI and simple app development tools.

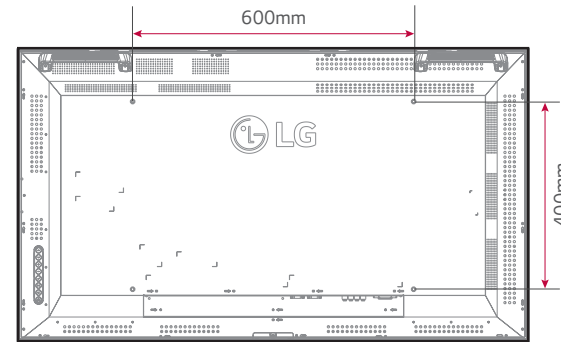
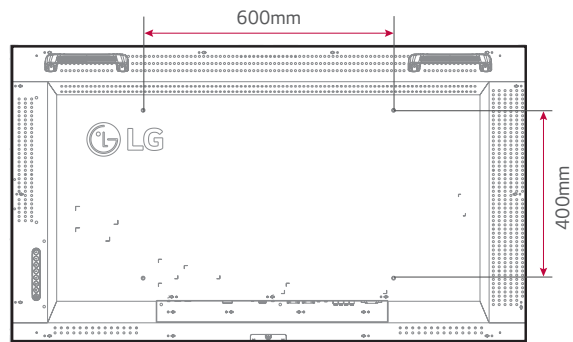
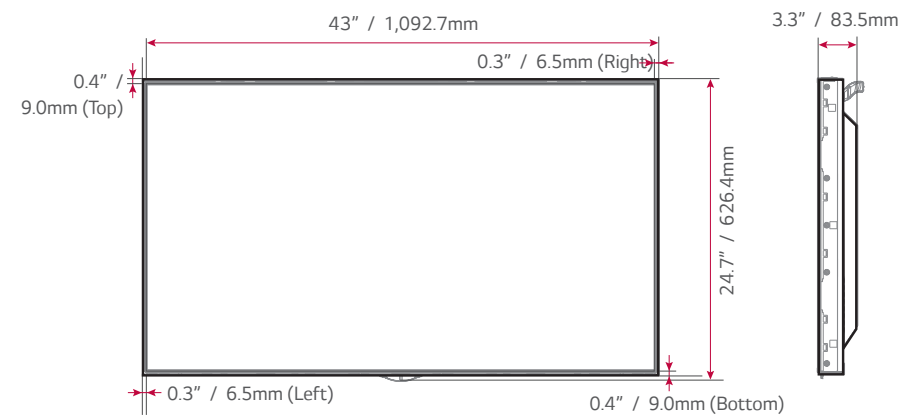


*System-on-Chip

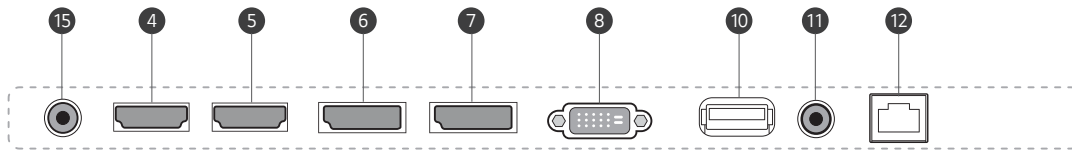
55XS4F



49XS4F



55/49XS4F



- | | | | | |
|---------------------|-------------|------------|------------------|----------------------|
| 1 RS 232C IN | 4 HDMI IN 1 | 7 DP OUT | 10 USB IN | 13 IR & LIGHT SENSOR |
| 2 RS 232C OUT | 5 HDMI IN 2 | 8 DVI-D IN | 11 AUDIO IN (PC) | 14 AC IN |
| 3 SPEAKER OUT (8 Ω) | 6 DP IN | 9 SD CARD | 12 LAN | |

XS Series

| | | 55XS4F | 49XS4F | |
|--------------------------------------|---|---|---|-------|
| PANEL | Screen Size | 55" | 49" | |
| | Panel Technology | IPS, M+ (WRGB) | IPS, M+ (WRGB) | |
| | Aspect Ratio | 16 : 9 | 16 : 9 | |
| | Native Resolution | 1,920 x 1,080 (FHD) | 1,920 x 1,080 (FHD) | |
| | Brightness | 4,000 nits (Typ.), 3,200 nits (Min.) | 4,000 nits (Typ.), 3,200 nits (Min.) | |
| | Contrast Ratio (Typ.) | 1,000:1 | 1,000:1 | |
| | Viewing Angle (H x V) | 178 x 178 | 178 x 178 | |
| | Surface Treatment | Haze 3%, QWP | Haze 3%, QWP | |
| | Lifetime | 50,000 Hrs | 50,000 Hrs | |
| | Operation Hours | 24 Hrs | 24 Hrs | |
| Orientation | Landscape & Portrait | Landscape & Portrait | | |
| CONNECTIVITY | Input | HDMI(2), DP, DVI-D, Audio, USB | HDMI(2), DP, DVI-D, Audio, USB | |
| | Output | DP, External Speaker (L/R) | DP, External Speaker (L/R) | |
| | External Control | RS232C In/out, RJ45 In, IR Receiver In | RS232C In/out, RJ45 In, IR Receiver In | |
| PHYSICAL SPECIFICATION | Bezel Color | Black | Black | |
| | Bezel Width | 12.0 mm (T/B), 9.9 mm (L/R) | 9 mm (T/B), 6.5 mm (L/R) | |
| | Monitor Dimensions (W x H x D) | 48.6" x 27.9" x 3.4" / 1,235.5 x 709.4 x 85.4 mm | 43" x 24.7" x 3.3" / 1,092.7 x 626.4 x 83.5 mm | |
| | Weight (Head) | 55.1 lbs / 25.0 kg | 55.1 lbs / 25.0 kg | |
| | Carton Dimensions (W x H x D) | 52.9" x 8.5" x 32.3" / 1,344 x 215 x 820 mm | 47" x 6.9" x 29.9" / 1,194 x 175 x 760 mm | |
| | Packed Weight | 66.6 lbs / 30.2 kg | 55.1 lbs / 25.0 kg | |
| | Handle | Yes (2ea) | Yes (2ea) | |
| VESA™ Standard Mount Interface | 600 x 400 mm | 600 x 400 mm | | |
| SPECIAL FEATURES | Temperature Sensor, Auto Brightness Sensor, Energy Saving, Smart Energy Saving, Tile Mode (Up to 15x15), Natural Mode@Tile Mode, Source Selection, Brightness/Contrast/Backlight, DPM Select, File Play with USB, Internal Memory, Wi-Fi Dongle Ready | | | |
| ENVIRONMENTAL CONDITIONS | Operation Temperature ²⁾ | 32°F to 104°F / 0°C to 40°C | 32°F to 104°F / 0°C to 40°C | |
| | Operation Humidity | 10% to 80% | 10% to 80% | |
| POWER | Power Type | Built-In Power | Built-In Power | |
| | Power Supply | 100-240 V-, 50/60 Hz | 100-240 V-, 50/60Hz | |
| | Power Consumption | Max Power Consumption | 400 W | 370 W |
| | | Typical Power Consumption | 375 W | 345 W |
| Smart Energy Saving | 140 W | 135 W | | |
| CERTIFICATIONS | Safety | IEC 60950-1 / EN 60950-1 / UL 60950-1 | IEC 60950-1 / EN 60950-1 / UL 60950-1 | |
| | EMC | FCC Class "A" / CE / KC / VCCI | FCC Class "A" / CE / KC / VCCI | |
| SOFTWARE COMPATIBILITY ³⁾ | Content Management Software | SuperSign CMS ⁴⁾ | SuperSign CMS ⁴⁾ | |
| | Control and Monitoring Software | SuperSign Control+ | SuperSign Control+ | |
| ACCESSORIES | Basic Accessories | Remote Control, Power Cord, HDMI Cable, Manual (ESG/EIG), IR Receiver (w/ Ambient Light Sensor) | Remote Control, Power Cord, HDMI Cable, Manual (ESG/EIG), IR Receiver (w/ Ambient Light Sensor) | |
| | Optional Accessories | Landscape Wall Mount (WM-L640V), Portrait Wall Mount (WM-P640V), Wi-Fi Adapter (AN-WF500) | Landscape Wall Mount (WM-L640V), Portrait Wall Mount (WM-P640V), Wi-Fi Adapter (AN-WF500) | |
| OTHER | Warranty | 3 Year Limited Warranty | 3 Year Limited Warranty | |
| | UPC | TBD | TBD | |

1) Compatibility may differ by equipment. 2) Without direct sunlight or with cooling systems in direct sunlight. 3) Software compatibility may change over time. Please contact your regional LG sales representative for details. 4) Optional Paid Software